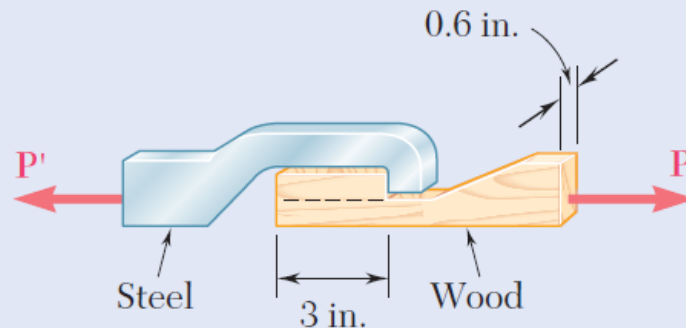
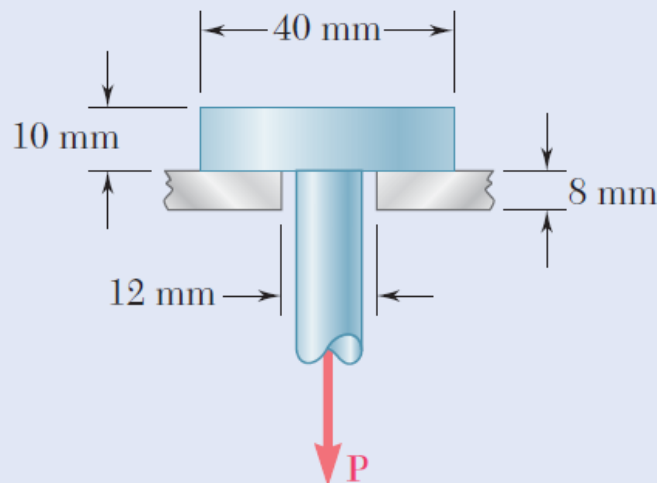


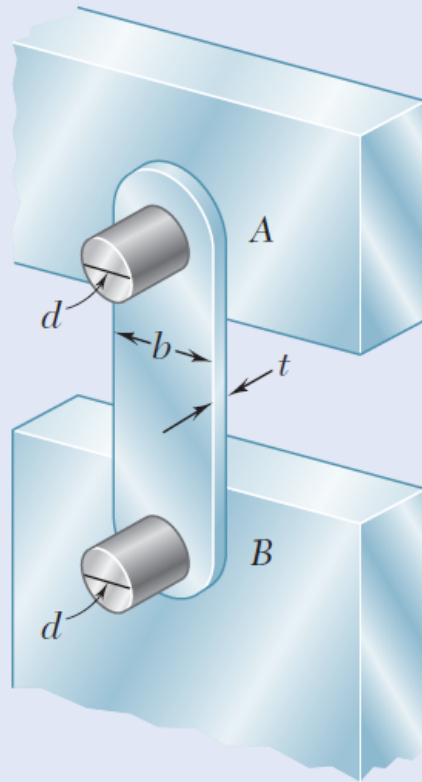
1. When the force \mathbf{P} reached 1600 lb, the wooden specimen shown failed in shear along the surface indicated by the dashed line. Determine the average shearing stress along that surface at the time of failure.



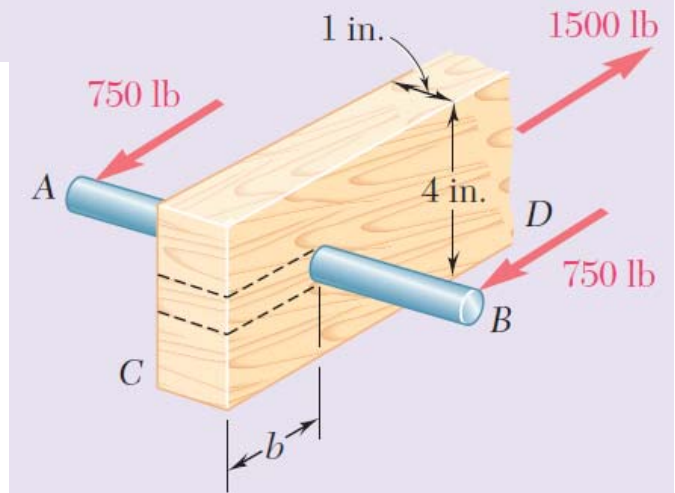
2. A load \mathbf{P} is applied to a steel rod supported as shown by an aluminum plate into which a 12-mm-diameter hole has been drilled. Knowing that the shearing stress must not exceed 180 MPa in the steel rod and 70 MPa in the aluminum plate, determine the largest load \mathbf{P} that can be applied to the rod.



3. Link AB , of width $b = 2$ in. and thickness $t = \frac{1}{4}$ in., is used to support the end of a horizontal beam. Knowing that the average normal stress in the link is -20 ksi and that the average shearing stress in each of the two pins is 12 ksi determine (a) the diameter d of the pins, (b) the average bearing stress in the link.



4. A $\frac{5}{8}$ -in.-diameter steel rod AB is fitted to a round hole near end C of the wooden member CD . For the loading shown, determine (a) the maximum average normal stress in the wood, (b) the distance b for which the average shearing stress is 100 psi on the surfaces indicated by the dashed lines, (c) the average bearing stress on the wood.



5. Member ABC , which is supported by a pin and bracket at C and a cable BD , was designed to support the 16-kN load \mathbf{P} as shown. Knowing that the ultimate load for cable BD is 100 kN, determine the factor of safety with respect to cable failure.

