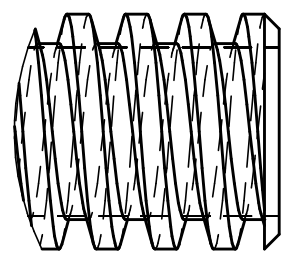
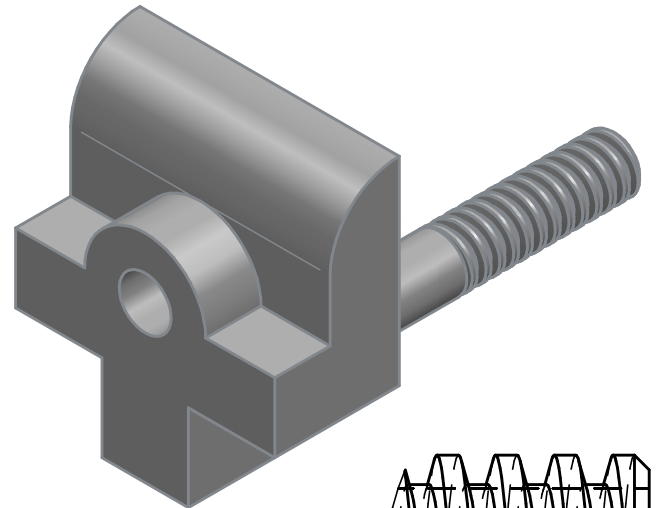
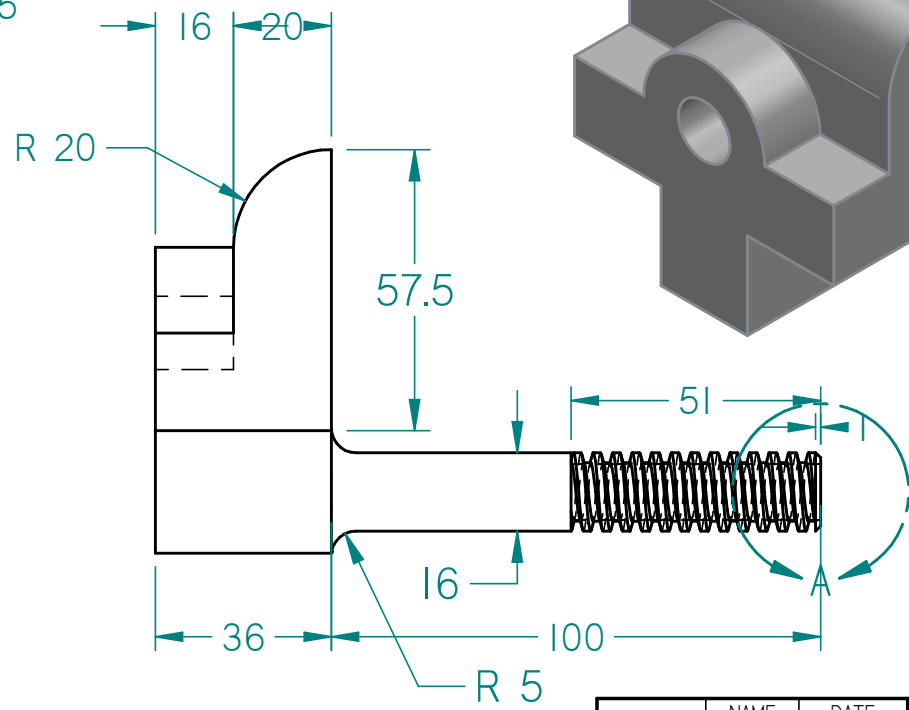
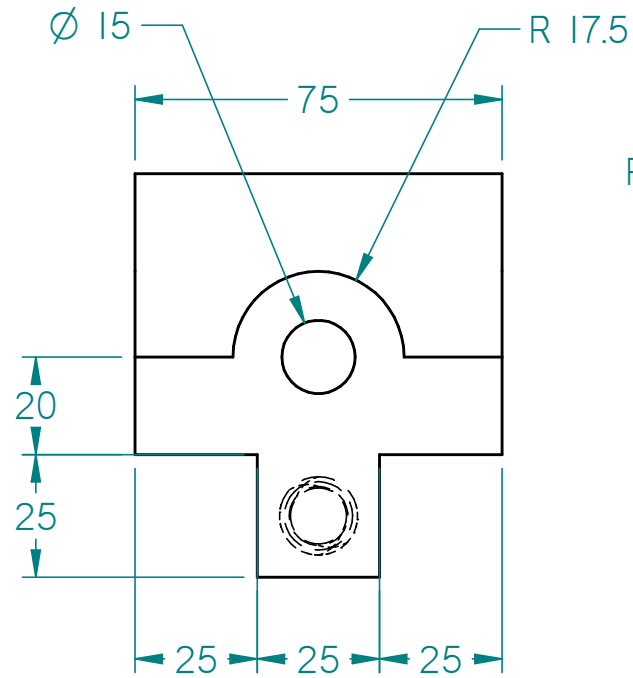


REVISION HISTORY			
REV	DESCRIPTION	DATE	APPROVED



SOLID EDGE ACADEMIC COPY

NAME	DATE	Solid Edge	
Dr. Seif	03/10/20	Lab 9 - Seif	
DRAWN	CHECKED	SIZE	DWG NO
ENG APPR	MGR APPR	B	REV
UNLESS OTHERWISE SPECIFIED DIMENSIONS ARE IN INCHES ANGLES ±XX° 2 PL ±XXX 3 PL ±XXXX		FILE NAME: Lab9 - Seif.dft	
		SCALE:	WEIGHT:
		SHEET 1 OF 1	