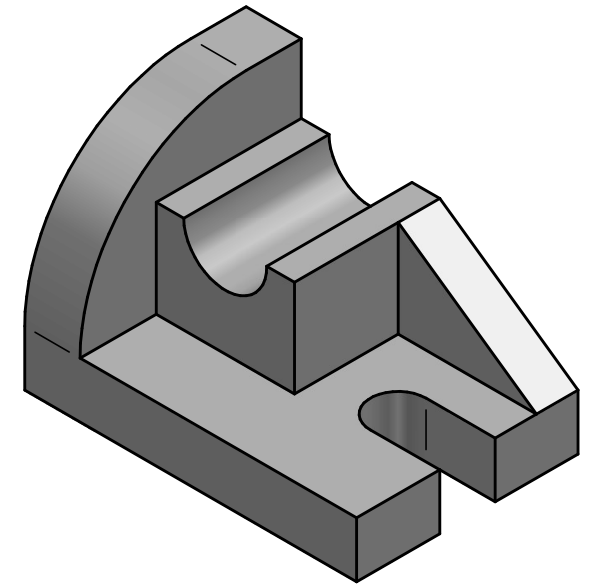
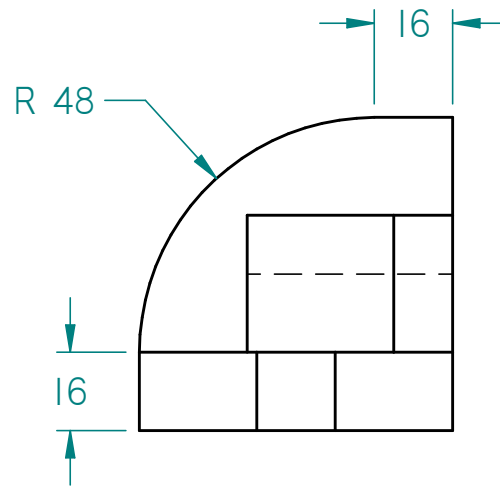
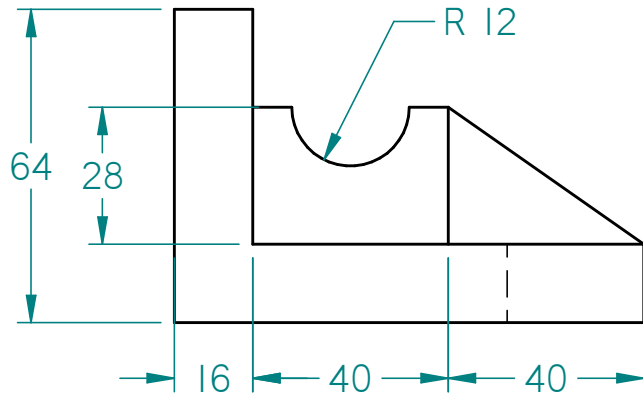
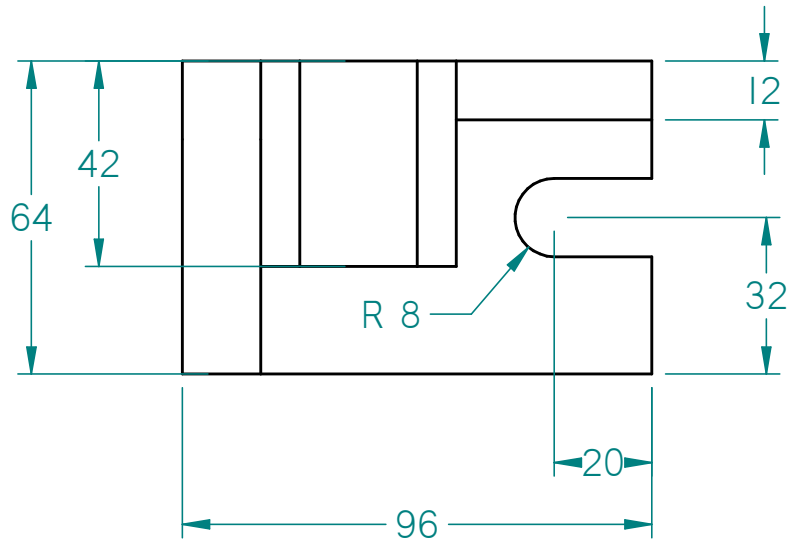


REVISION HISTORY			
REV	DESCRIPTION	DATE	APPROVED



SOLID EDGE ACADEMIC COPY

	NAME	DATE	Solid Edge	
DRAWN	Dr. Seif	02/26/20	TITLE	
CHECKED			Lab 8 - Seif	
ENG APPR				
MGR APPR				
UNLESS OTHERWISE SPECIFIED DIMENSIONS ARE IN INCHES ANGLES ±XX° 2 PL *XXX 3 PL *XXX			SIZE B	DWG NO
			FILE NAME: Lab8 - Seif.dft	REV
			SCALE:	WEIGHT:
			SHEET 1 OF 1	