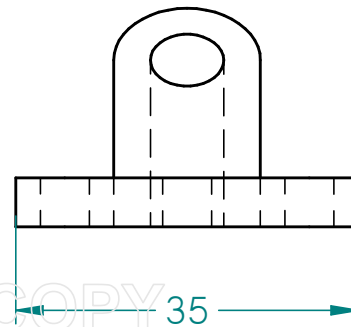
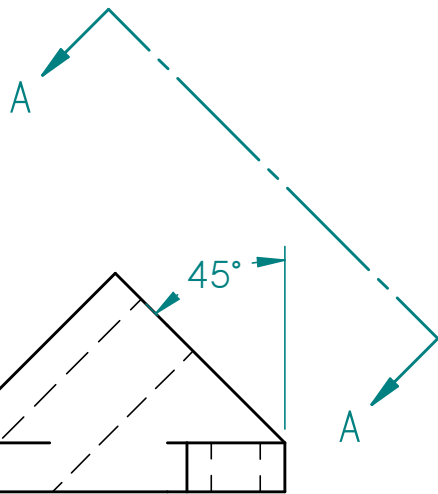
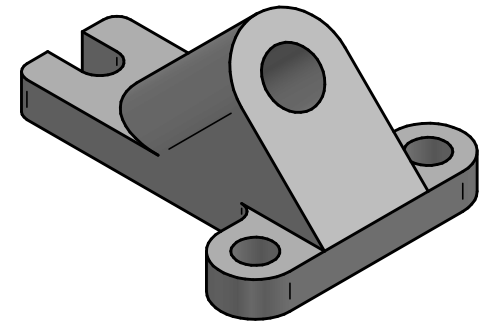


VIEW A-A



| REVISION HISTORY | | | |
|------------------|-------------|------|----------|
| REV | DESCRIPTION | DATE | APPROVED |
| | | | |

| | | | | |
|--|----------|----------|-----------------|--------------|
| | NAME | DATE | Solid Edge | |
| DRAWN | Dr. Seif | 02/20/20 | TITLE | |
| CHECKED | | | Lab 7 - Seif | |
| ENG APPR | | | SIZE | DWG NO |
| MGR APPR | | | B | |
| UNLESS OTHERWISE SPECIFIED DIMENSIONS ARE IN INCHES ANGLES ±XX° 2 PL *XXX 3 PL *XXX | | | FILE NAME: | REV |
| | | | Lab7 - Seif.dft | |
| | | | SCALE: | WEIGHT: |
| | | | | SHEET 1 OF 1 |

SOLID EDGE ACADEMIC COPY