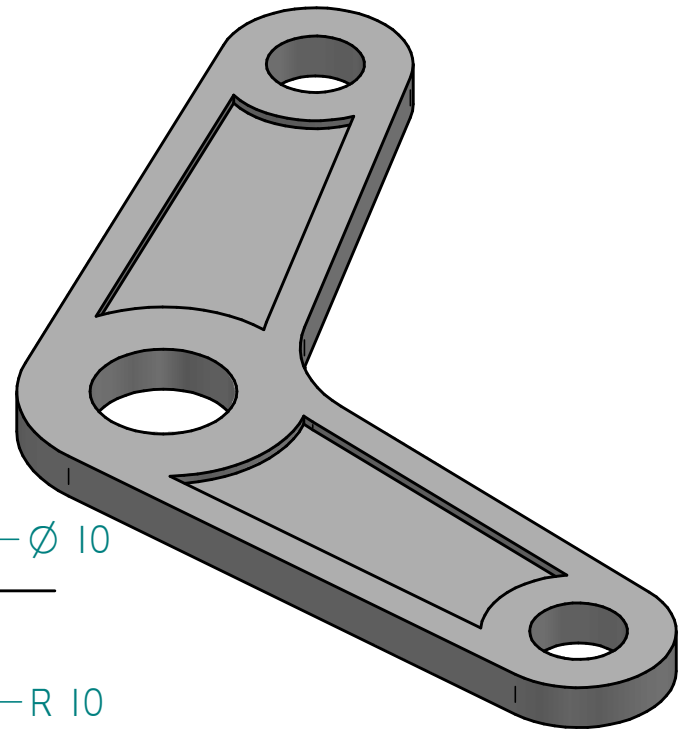


REVISION HISTORY			
REV	DESCRIPTION	DATE	APPROVED



SOLID EDGE ACADEMIC COPY

	NAME	DATE	Solid Edge	
DRAWN	aamu	08/29/21	TITLE	
CHECKED			Lab 2 - Seif	
ENG APPR			SIZE	DWG NO
MGR APPR			B	
UNLESS OTHERWISE SPECIFIED DIMENSIONS ARE IN INCHES ANGLES ±XX° 2 PL *XXX 3 PL *XXX			FILE NAME:	REV
			Lab 2 - Seif.dft	
			SCALE:	WEIGHT:
				SHEET 1 OF 1