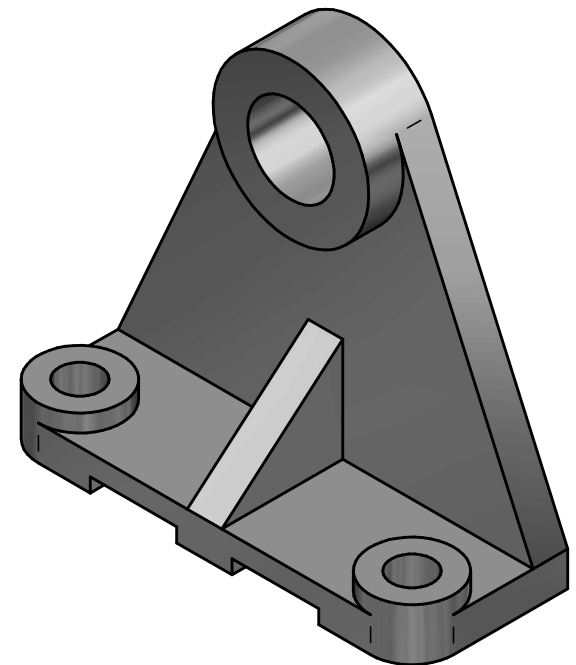


REVISION HISTORY			
REV	DESCRIPTION	DATE	APPROVED



	NAME	DATE	Solid Edge	
DRAWN	aamu	08/29/20	TITLE	
CHECKED			Lab 3 - Seif	
ENG APPR			SIZE	DWG NO
MGR APPR			B	
UNLESS OTHERWISE SPECIFIED DIMENSIONS ARE IN INCHES ANGLES ±XX° 2 PL *XXX 3 PL *XXXX			FILE NAME: Lab 3 - Seif.dft	REV
			SCALE:	WEIGHT:
			SHEET 1 OF 1	

SOLID EDGE ACADEMIC COPY