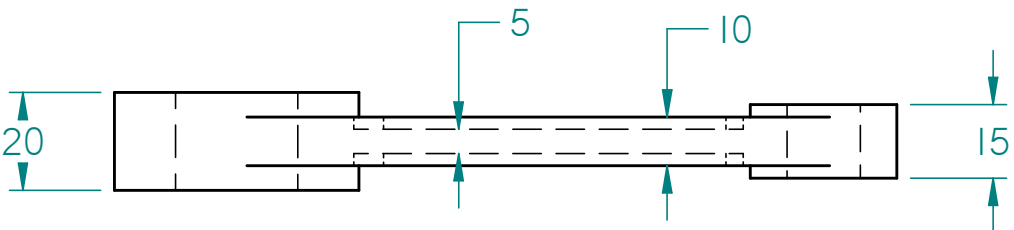
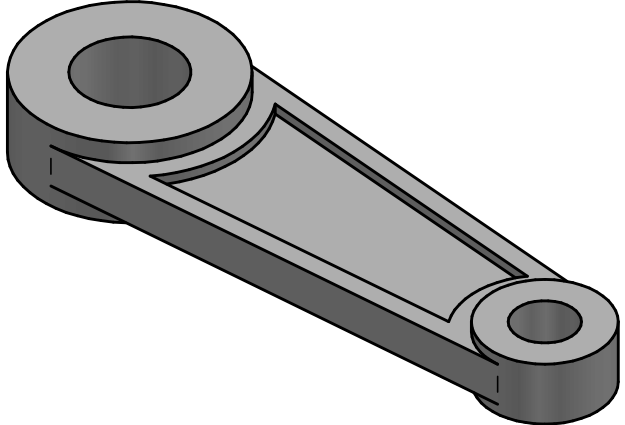
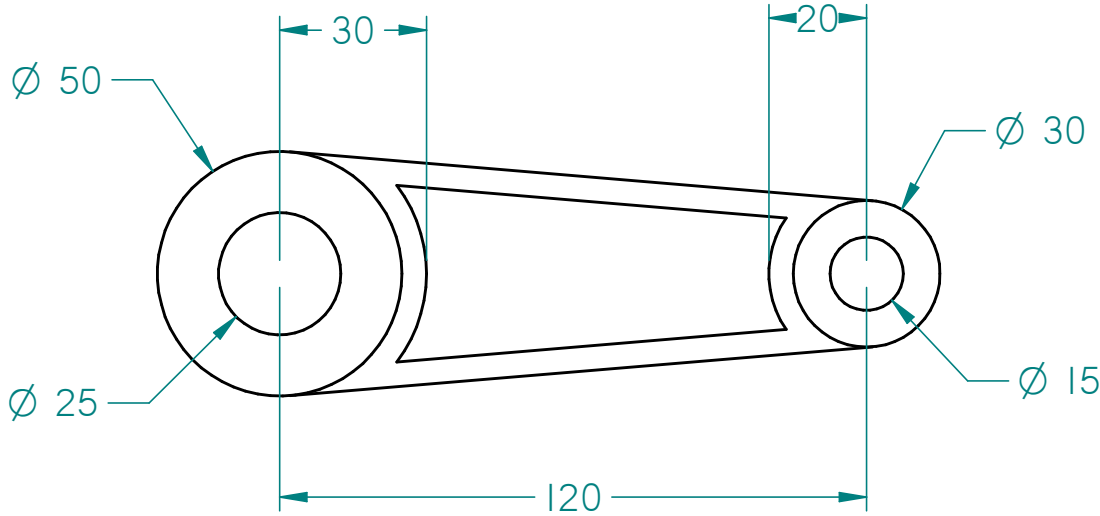


REVISION HISTORY			
REV	DESCRIPTION	DATE	APPROVED



	NAME	DATE	Solid Edge Lab 2 - Seif	
DRAWN	aamu	06/01/22		
CHECKED				
ENG APPR				
MGR APPR			TITLE	
UNLESS OTHERWISE SPECIFIED DIMENSIONS ARE IN INCHES ANGLES ±XX° 2 PL *XXX 3 PL *XXXX			SIZE B	DWG NO
			FILE NAME: Lab 2 - Seif.dft	REV
			SCALE:	WEIGHT:
			SHEET 1 OF 1	

SOLID EDGE ACADEMIC COPY