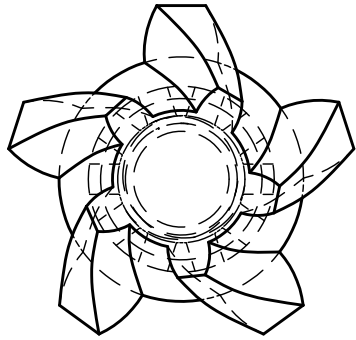
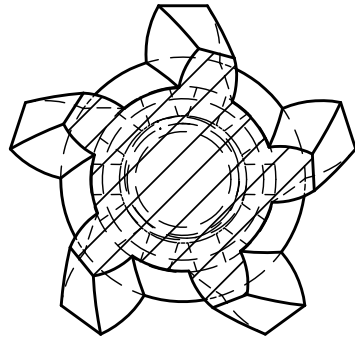


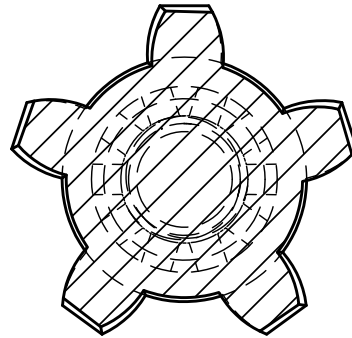
REVISION HISTORY			
REV	DESCRIPTION	DATE	APPROVED



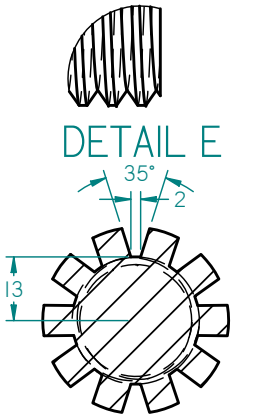
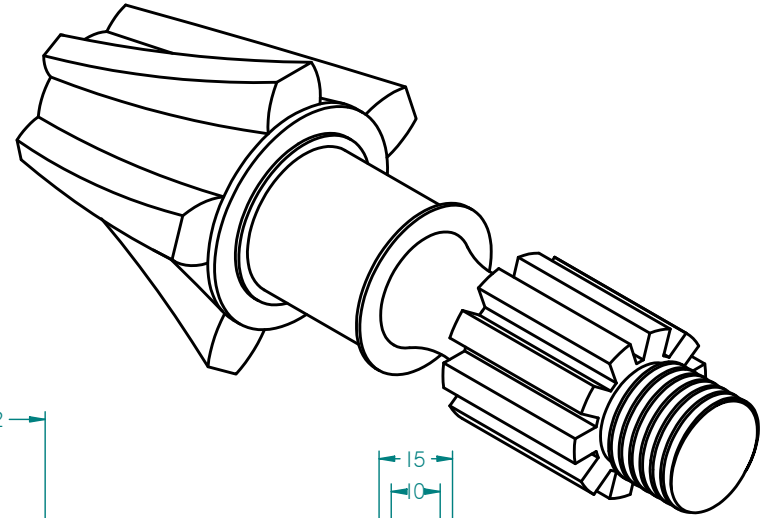
SECTION A-A



SECTION B-B

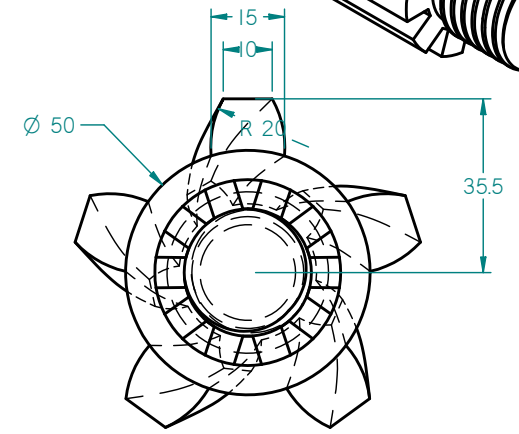
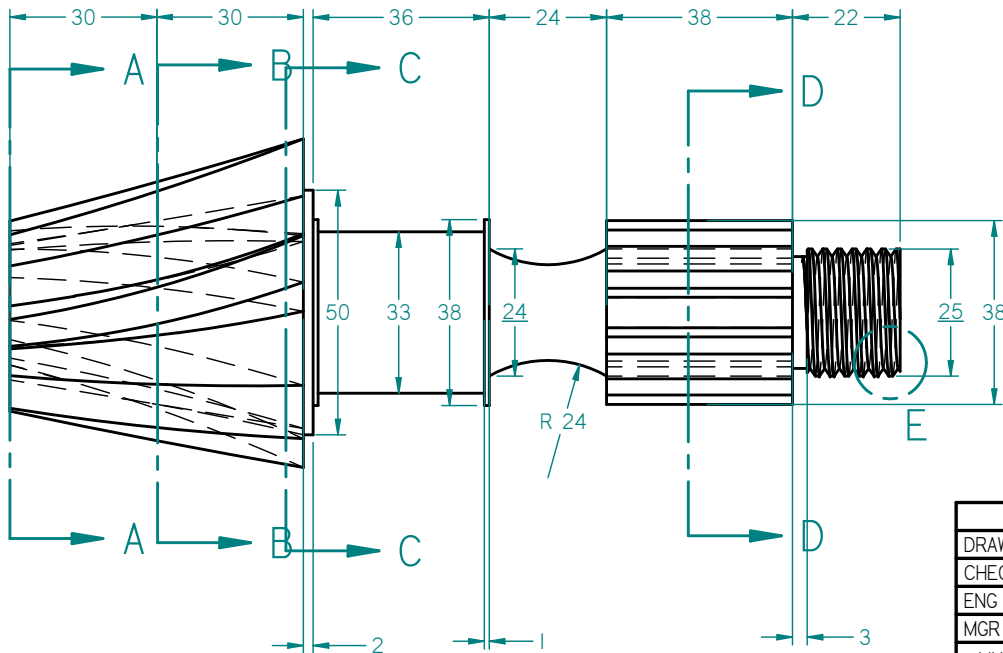


SECTION C-C



DETAIL E

SECTION D-D



NAME	DATE	Solid Edge TITLE Lab 14 - Seif
DRAWN Dr. Seif	11/07/17	
CHECKED		
ENG APPR		
MGR APPR		SIZE B DWG NO REV FILE NAME: Lab 12.dft SCALE: WEIGHT: SHEET 1 OF 2
UNLESS OTHERWISE SPECIFIED DIMENSIONS ARE IN INCHES ANGLES ±XX° 2 PL ±XXX 3 PL ±XXXX		

SOLID EDGE ACADEMIC COPY