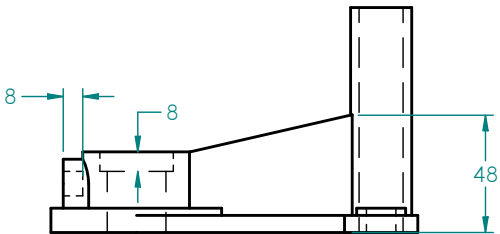
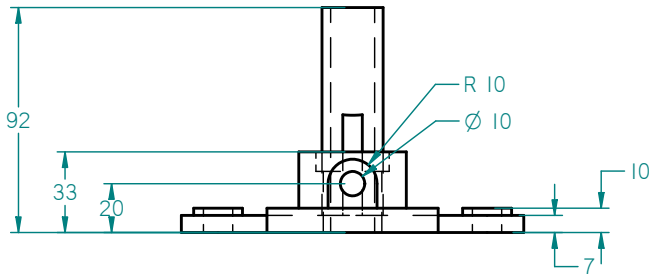
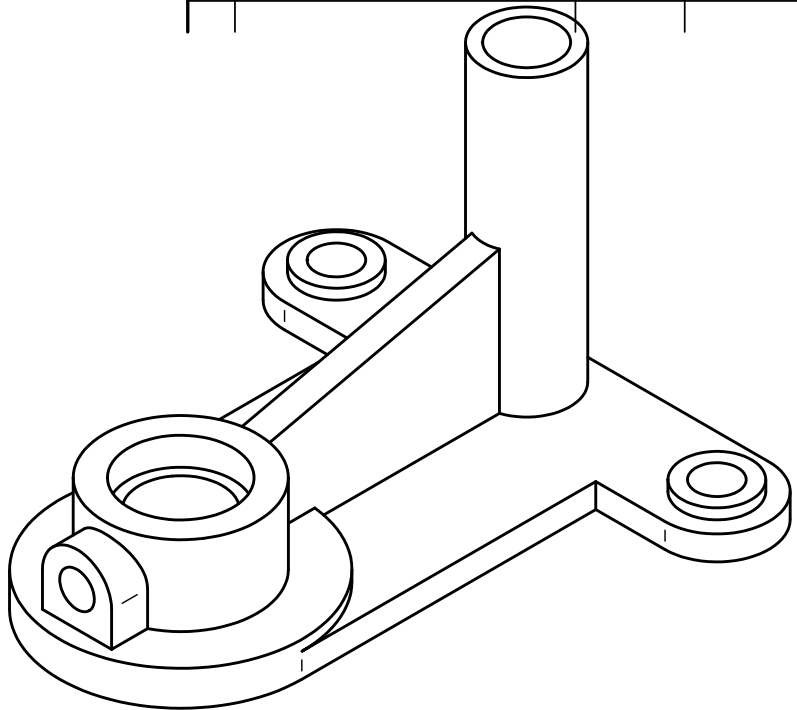
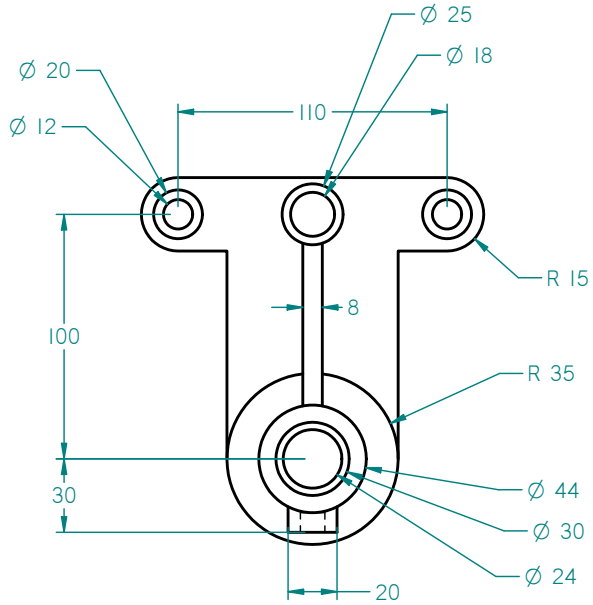


REVISION HISTORY			
REV	DESCRIPTION	DATE	APPROVED



SOLID EDGE ACADEMIC COPY

	NAME	DATE	Solid Edge	
DRAWN	Dr. Seif	10/26/17	TITLE	
CHECKED			Lab 12 - Seif	
ENG APPR				
MGR APPR				
UNLESS OTHERWISE SPECIFIED DIMENSIONS ARE IN INCHES ANGLES ±XX° 2 PL *XXX 3 PL *XXXX			SIZE B	DWG NO
			FILE NAME: Lab 10.dft	REV
			SCALE:	WEIGHT:
			SHEET 1 OF 1	