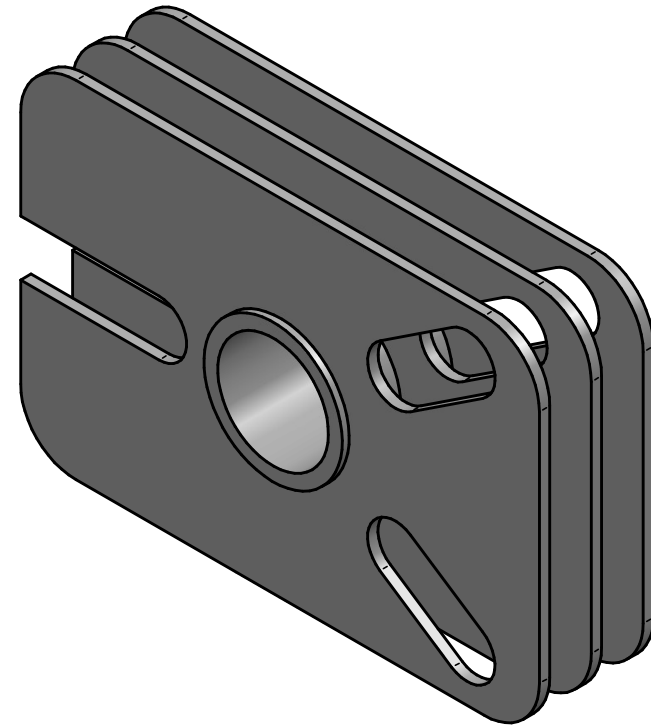


SOLID EDGE ACADEMIC COPY

REVISION HISTORY			
REV	DESCRIPTION	DATE	APPROVED



	NAME	DATE	Solid Edge	
DRAWN	aamu	06/30/20	Lab II - Seif	
CHECKED			TITLE	
ENG APPR				
MGR APPR				
UNLESS OTHERWISE SPECIFIED DIMENSIONS ARE IN INCHES ANGLES ±XX° 2 PL *XXX 3 PL *XXXX			SIZE B	DWG NO
			FILE NAME: Lab II 2020.dft	REV
			SCALE:	WEIGHT:
			SHEET 1 OF 1	