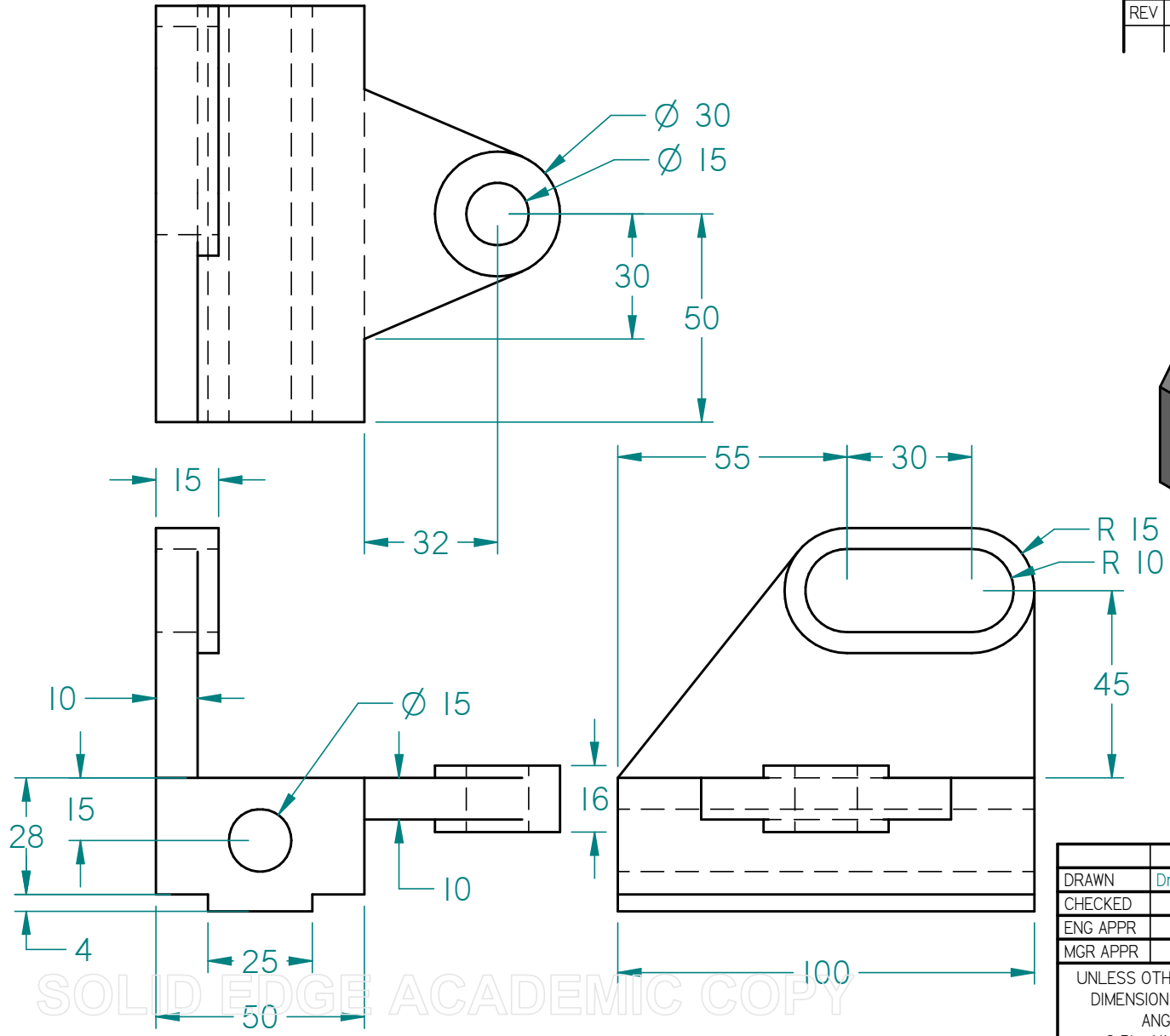
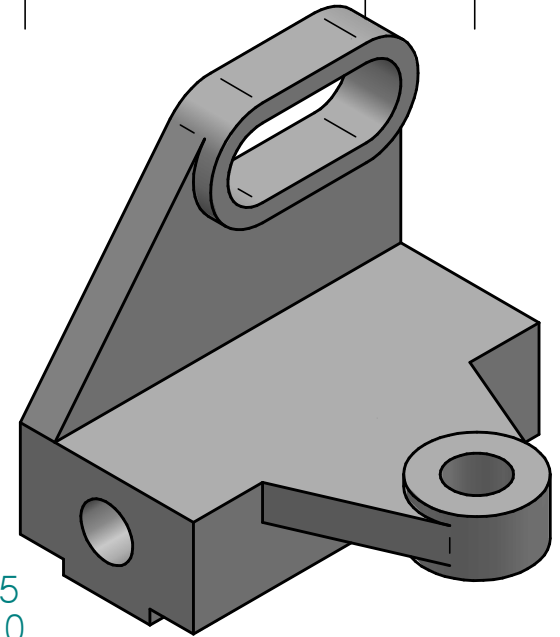


REVISION HISTORY			
REV	DESCRIPTION	DATE	APPROVED



	NAME	DATE	Solid Edge TITLE: Lab 10 - Seif		
DRAWN	Dr. Seif	03/19/20			
CHECKED					
ENG APPR					
MGR APPR			SIZE B	DWG NO	REV
UNLESS OTHERWISE SPECIFIED DIMENSIONS ARE IN INCHES ANGLES ±XX° 2 PL ±XXX 3 PL ±XXXX			FILE NAME: Lab10 - Seif.dft		
			SCALE:	WEIGHT:	SHEET 1 OF 1

SOLID EDGE ACADEMIC COPY