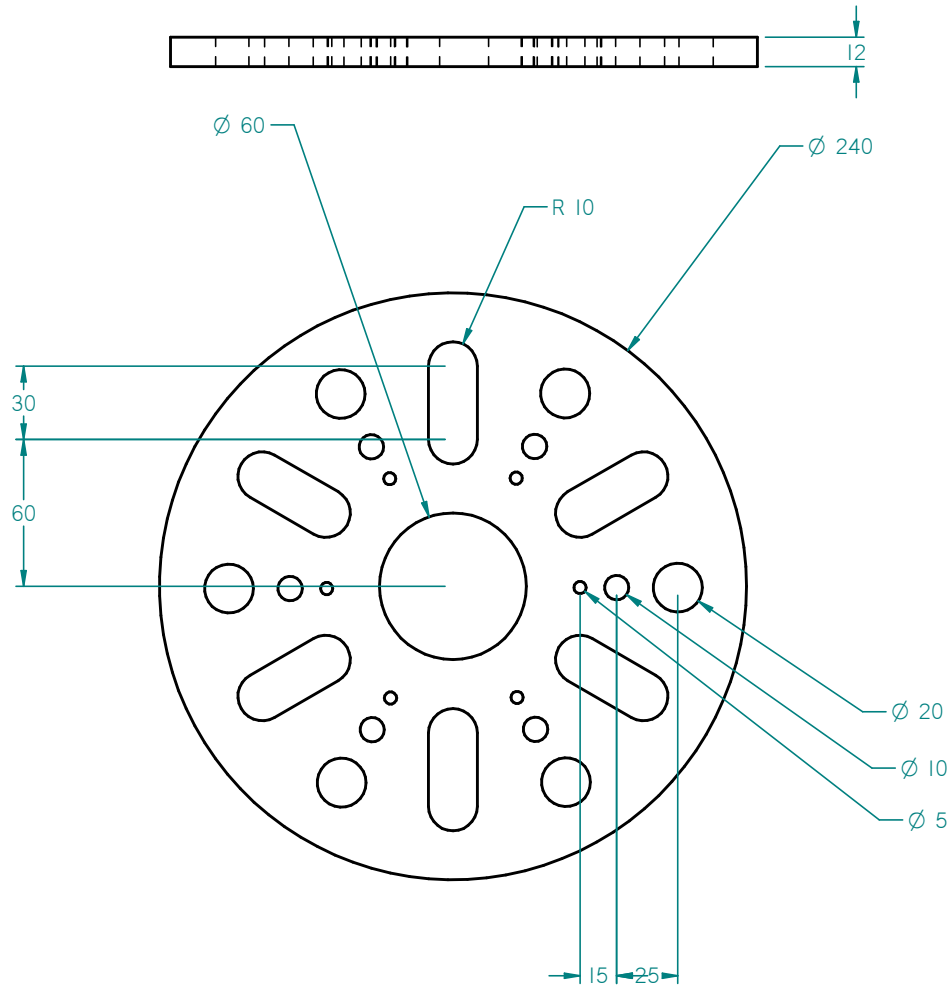
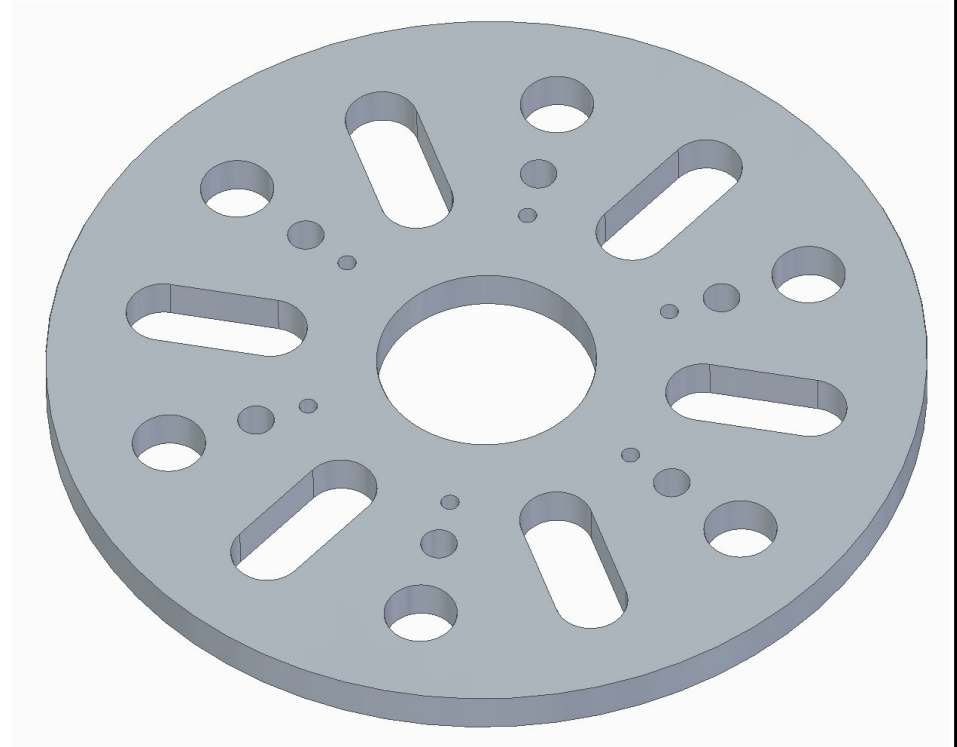


REVISION HISTORY			
REV	DESCRIPTION	DATE	APPROVED



SOLID EDGE ACADEMIC COPY

	NAME	DATE	Solid Edge	
DRAWN	aamu	08/21/22	TITLE	
CHECKED			Lab #1 - Updated	
ENG APPR			SIZE	DWG NO
MGR APPR			B	
UNLESS OTHERWISE SPECIFIED DIMENSIONS ARE IN MILLIMETERS ANGLES ±XX° 2 PL *XXX 3 PL *XXXX			FILE NAME: ME_103 Lab 1 - Updated.dft	REV
			SCALE:	WEIGHT:
			SHEET 1 OF 1	